

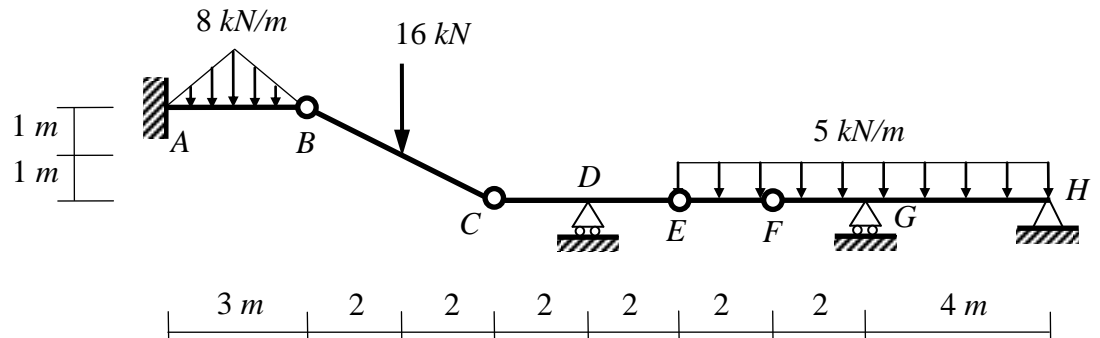
Mid-Term Exam

- Attempt all questions.
- The Exam consists of **2** questions in **1** page.
- Maximum grade is **20 Marks**.

Question (1): (14 Marks)

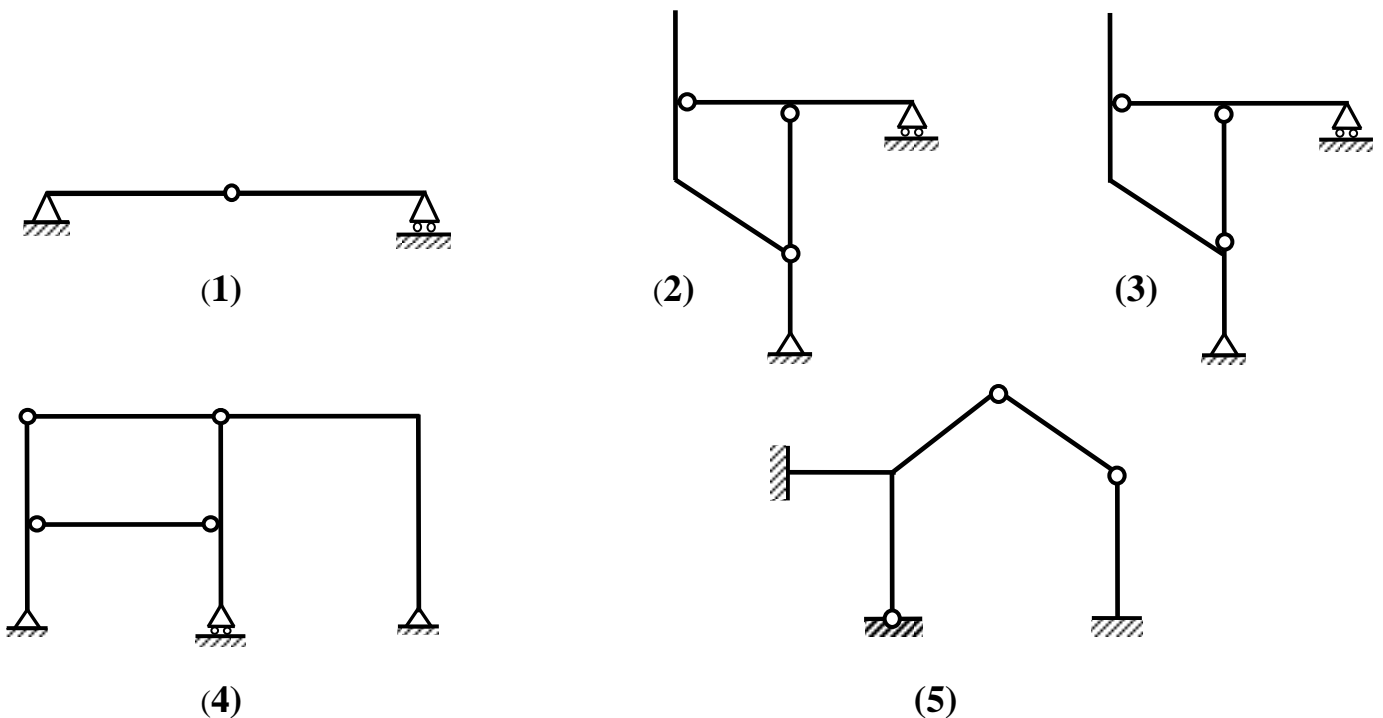
For the shown beam, determine the reactions at the supports **A**, **D**, **G**, and **H**.

Note: In your answer sheet, draw the final reactions (direction and magnitude) on the beam.



Question (2): (6 Marks)

Determine whether each of the shown structures is stable or unstable. If stable, determine whether it is statically determinate or indeterminate. If statically indeterminate, determine the degree of indeterminacy.



Good luck!

Dr. M. Abdel-Kader