

Name:

Code:

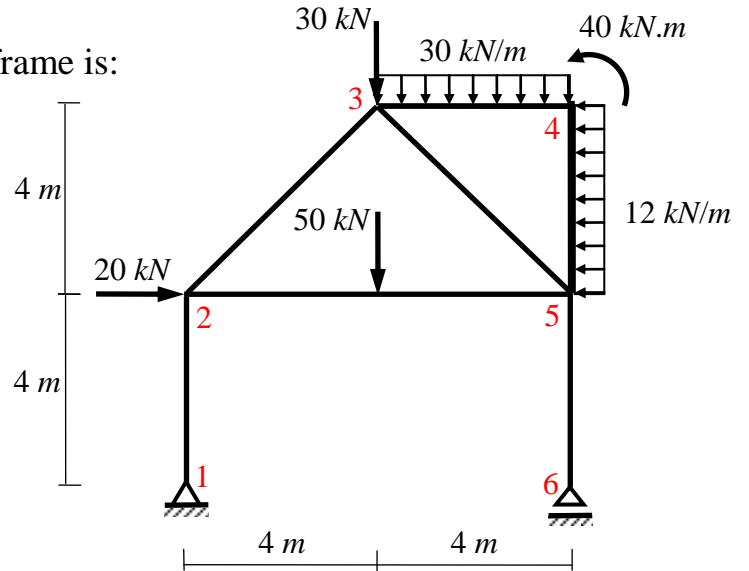
Quiz (1): (10 Marks)

The matrix equilibrium equation of the shown frame is:

$$\{F\} = [K] \{\Delta\} + \{F^f\}$$

Write

- the nodal forces vector $\{F\}$
- the nodal displacements vector $\{\Delta\}$
- the fixed end solution $\{F^f\}$



Solution: